

Advanced Series

DF 2MP | 5MP

Omnieye Advanced series cameras are the perfect combination of great performance and affordable price. Featuring Sony STARVIS sensor and Smart IR technology, these cameras can provide high quality images even in challenging light conditions. Their compact and robust housing makes it suitable for both indoor and outdoor applications.

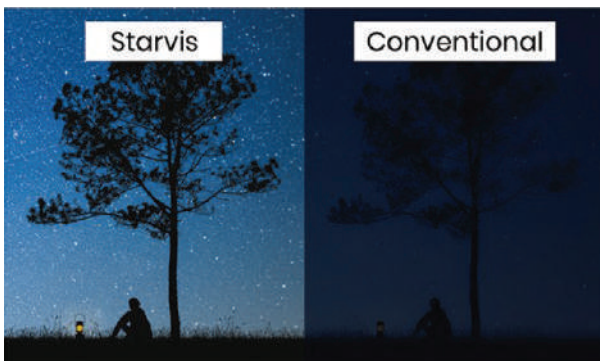
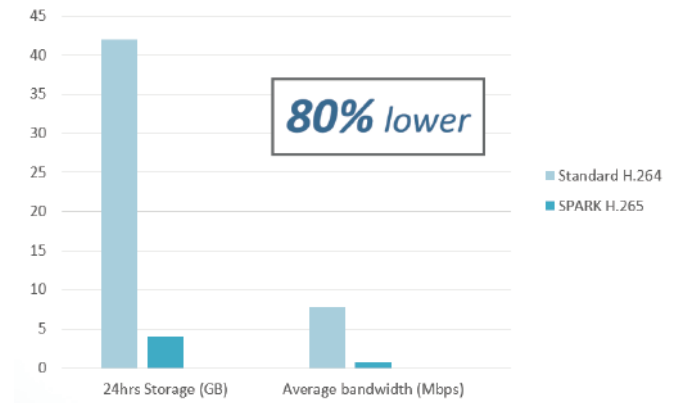
- ▶ **H.265 Smart Codec**
- ▶ **Smart IR**
- ▶ **IoT Cyber Security and UL Certified**
- ▶ **ONVIF Profile S, T, G Conformant**
- ▶ **IP68, IK10**



Features

H.265 Smart Codec

Reduce bandwidth and storage requirements without sacrificing image quality.

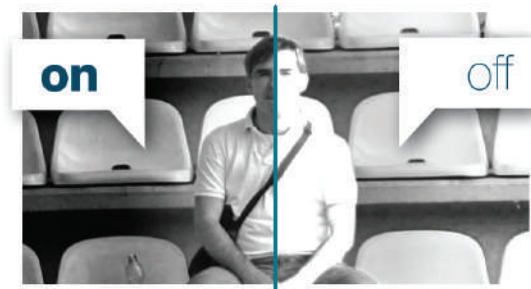


Sony Sensor

Equipped with high sensitivity sensor that provides high quality images in low light environments.

Smart IR

Dynamic adjustment of the IR in accordance with the scene changes, guaranteeing correct lighting of the monitored area.



UL Certified

Providing you with the ultimate safety standard.

Specifications

DF1
SR-C-A2-DF1-F3-IR

DF2
SR-C-A5-DF2-F3-IR

	DF1 SR-C-A2-DF1-F3-IR	DF2 SR-C-A5-DF2-F3-IR	
Camera	Image Sensor	Sony Starvis CMOS Progressive Scan 1/2.8"	
	Lens	2.8mm, F1.8	2.8mm, F2.0
	FOV	110° (H), 60° (V)	98.1° (H), 74° (V)
	Day/Night	Automatically removable infrared-cut filter	
	Min. Illumination	0.02Lux (Color) 0Lux (B/W IR on)	0.03Lux (Color) 0Lux (B/W IR on)
	IR Illuminators	Smart IR up to 30 meters effective range	
	Shutter Speed	1~1/100,000s	
	Pan/Tilt/Zoom	Pan: - Tilt: - Zoom: -	
Video	Video Compression	H.265, H.264, MJPEG	
	Resolution	1920x1080	2592x1944
	Frame Rate	Up to 30fps	
	WDR	100dB	
	Image Settings	3DNR, brightness, contrast, sharpness, saturation, hue, gain control, WB, BLC, privacy mask, OSD, corridor mode, rotation: mirror, flip, mirror flip	
Audio	Audio Compression	-	
	Audio Streaming	-	
	Audio Interface	-	
Network	Security	IEEE 802.1X, HTTPS, digest authentication, IP filtering, advanced security	
	Protocols	ARP, DHCP, DNS, FTP, HTTP, HTTPS, ICMP, IGMP, IPv4/6, NTP, RTSP/RTCP/RTP, QoS, SMTP, SNMP v1/2c/3, TCP, TLS/TLS, UDP, 802.1X, DDNS, PPPoE, LDAP	
System Integration	Analytics	-	
	Event Triggers	Schedule, IP address conflict and network loss detection, tamper, motion detection, defocus, SD status	
	Event Actions	E-mail notification, OSD indication, snapshot to SD card, snapshot to FTP, SD card recording, HTTP generic event	
	Wi-Fi Module	-	
	Applications	Argo Video Management System	
	Interoperability	Onvif Profile S, T, G	

Specifications

DF1
SR-C-A2-DF1-F3-IR

DF2
SR-C-A5-DF2-F3-IR

General

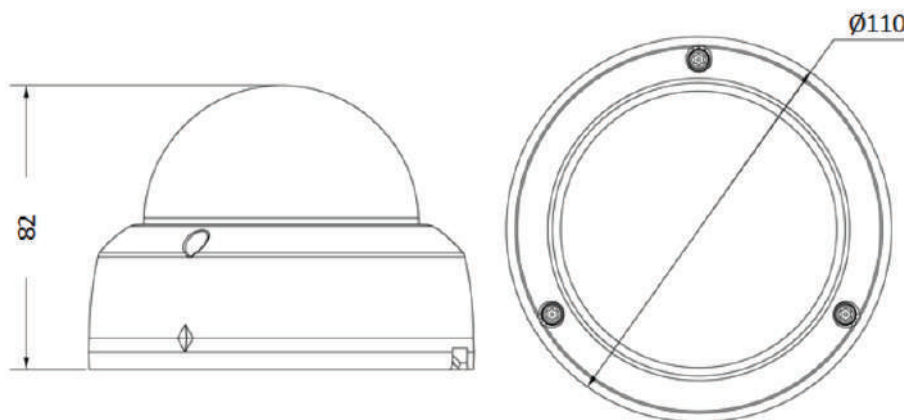
Dimensions	Ø110x82mm
Weight	0.53kg
Housing	Aluminum
Ingress Protection	IP68
Impact Protection	IK10
Certifications	IoT Cyber Security, UL 62368-1, CE, FCC
Edge Storage	MicroSDHC/SDXC card slot (support up to 1TB)
Alarm I/O	-
RS485	-
Glass Defroster	-
Network	RJ45 10/100 Base-T/TX
Power	IEEE 802.3af, Class 3, PoE 0.15A; DC12V 0.61A
Operating Temp.	-30°C ~ 55°C

Accessories (optional)

Corner Mount Adapter	SR-O-AS101-N White aluminum corner mount adapter. Support up to 10kg.
Pole Mount Adapter	SR-O-AS102 White aluminum pole mount adapter. Support up to 10kg.
Wall Mount Bracket	SR-O-AS103-N White aluminum wall mount bracket. Support up to 10kg. SR-O-AS105 White aluminum wall mount bracket. Support up to 3kg.

Outline Dimensions

Unit: mm



Features

IoT Cyber Security

Certified with Taiwan's government IoT Cyber Security standard, giving an extra layer of information security.



ONVIF Profile G, S, T Conformant

Built on an open platform for easy integration with 3rd party devices.

Outdoor Ready

Certified with ingress protection and impact protection tests.

IP68 / IK10

